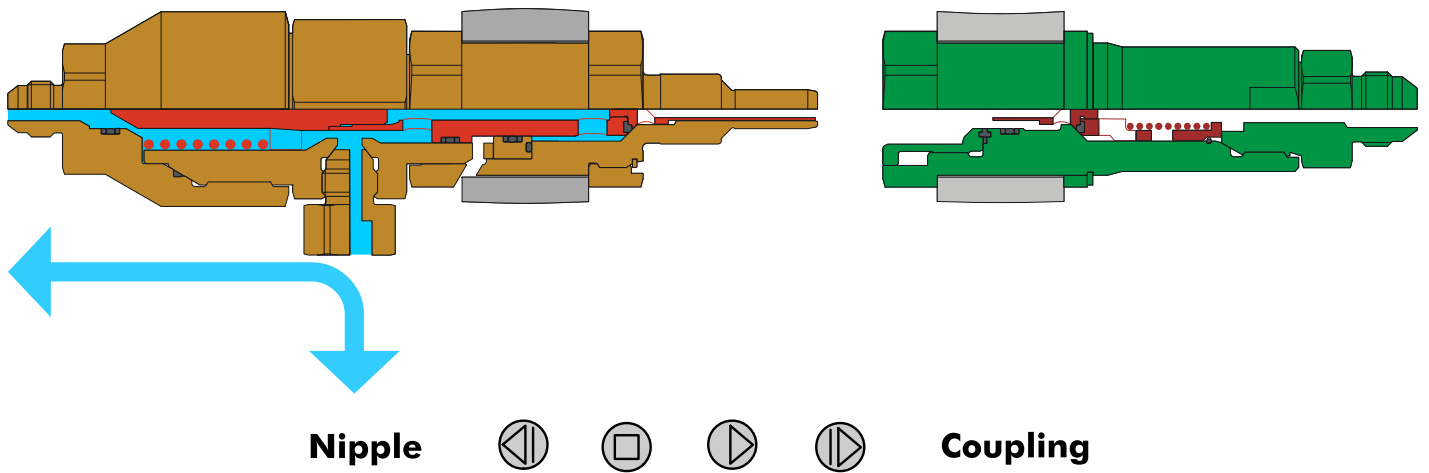


Movement sequence of connection and disconnection High-Pressure-Coupling Type XO-006



RESERVATION OF PROPRIETARY RIGHTS
This animation and/or drawing is our property. Every copy, utilization or communication to third parties is punishable and is pursued legally (Copyright law, law against unfair competition, BGB). All rights for the case of patent issue (paragraph 7, section 1 PG) or GM registration (paragraph 5, section 4 GMG) reserved.